



PFS

Portable Floor Scale

Technical Specification



PFS shown with optional PC-820 and BP-25R battery pack

DESCRIPTION

General

Take the scale to the job rather than the job to the scale.

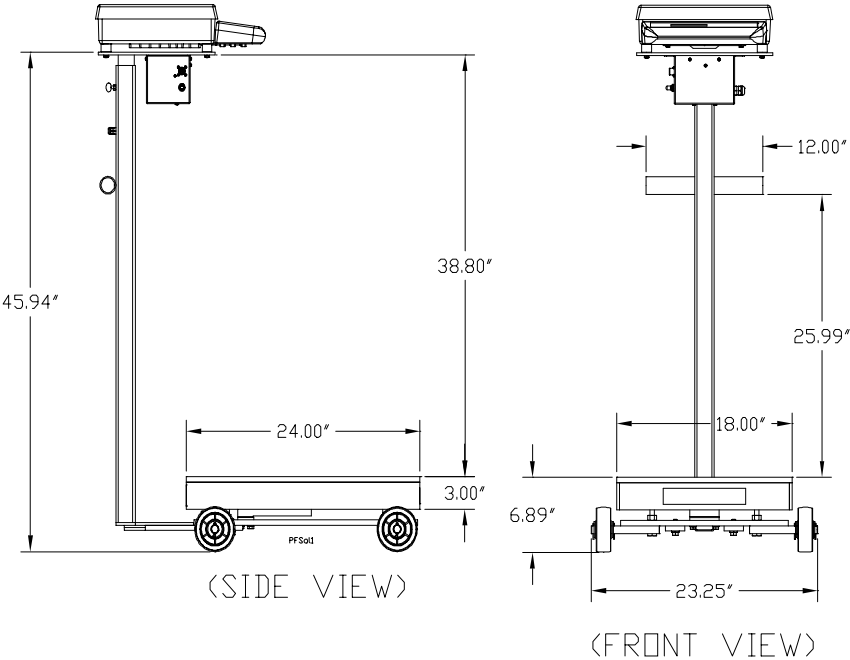
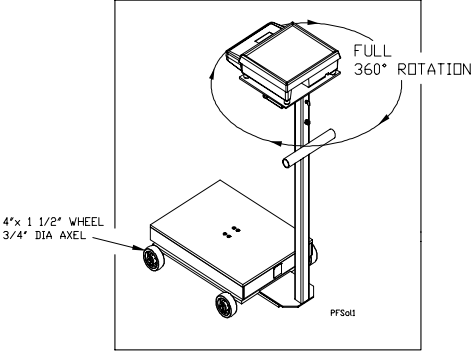
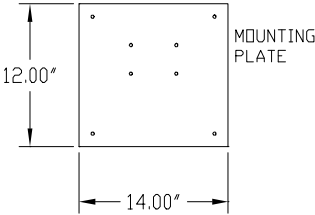
Design

- 24" x 18" –1,000 lb deck scale
- Designed to interface with the Avery Weigh-Tronix Model PC-820 Dual Counting Scale.
- Standard 12" x 14" platform with pre-drilled holes to mount a battery operated counting scale or an indicator.
- Includes mounting hardware to hold Avery Weigh-Tronix PC-820 Counting Scale or WI-125 Weight Indicator in place.
- Includes DB9 connector to interface with the PC-820.
- Four additional pre-drilled holes designed to mount a BP-25R Battery Pack for extended battery operation.



SPECIFICATIONS

- Capacity** – 1,000 lbs (500 kg)
- Finish** – Carbon steel, high grade powder paint finish
- Weight sensor** – (1) 350-ohm shear beam load cell
- Load Cell Output** – 2mV/V
- Overload Protection** – 200%
- End Loading** – 100%
- Accuracy** – 0.02% of rated output
- Temperature** – 14 to 104°F (-10 to 40°C)
- Load Cell Cable** – 10 ft cable included inside column
- Wheels** – Polyolefin, each wheel capacity rated at 300 lbs.



Outline drawing shown with PC-820 and BP-25R Battery Pack



888-236-5650
 sales@bsiscales.com
www.bsiscales.com

Avery Weigh-Tronix

www.averyweigh-tronix.com

Avery Weigh-Tronix is an ITW company



Intel and Intel Core are trademarks of Intel Corporation in the U.S. and/or other countries
 Avery Weigh-Tronix is a trademark of the Illinois Tool Works group of companies whose ultimate parent company is Illinois Tool Works Inc ("Illinois Tool Works"). Copyright © 2015 Illinois Tool Works. All rights reserved. This publication is issued to provide outline information only and may not be regarded as a representation relating to the products or services concerned. This publication was correct at the time of going to print, however Avery Weigh-Tronix reserves the right to alter without notice the specification, design, price or conditions of supply of any product or service at any time.